

The SL-SUB and SL-GSUB



SL-SUB for flown applications

SL-SUB and SL-GSUB

The SL-SUB and SL-GSUB are cardioid subwoofers to compliment the GSL and KSL Systems. The SL-SUB rigging hardware allows columns of up to fourteen cabinets to be flown while the SL-GSUB is intended for ground stacked applications only. Both subwoofers are actively driven 2-way bass-reflex designs housing three long excursion 21" neodymium drivers. Two drivers face to the front while one radiates to the rear.

The front and rear facing drivers operate in independent bass reflex chambers and are driven from separate amplifier channels.

The cardioid dispersion pattern reduces unwanted energy behind the system, resulting in less excitation of the reverberant field to deliver highly accurate low frequency reproduction. The frequency response extends from 33 Hz to 84 Hz/30 Hz to 65 Hz. The SL-SUB cabinet incorporates front and rear rigging strands while the SL-GSUB has no rigging components and is intended for ground stack purposes.

The cabinets are constructed from marine plywood with an impact and weather protected PCP (Polyurea Cabinet Protection) finish. The front and rear of the subwoofers are protected by rigid metal grills backed by an acoustically transparent and water repellent fabric. Two runners extend from the front to rear to protect the bottom panel. Two correspondingly shaped recesses are incorporated in the top panel accepting the runners and preventing cabinet movement when subwoofers are stacked. The side panels incorporate four recessed handles and four heavy duty wheels are mounted on the rear of the subwoofers.

d&b amplifiers

The d&b audiotechnik loudspeaker range is designed exclusively for operation with d&b amplifiers. These provide power as well as comprehensive control and protection functions tailored to achieve the performance, reliability and longevity associated with the d&b System approach. The d&b D80 amplifier is required to drive the SL-SUB and SL-GSUB. These large format subwoofers are driven in 2-Way Active mode and require two amplifier channels per cabinet.

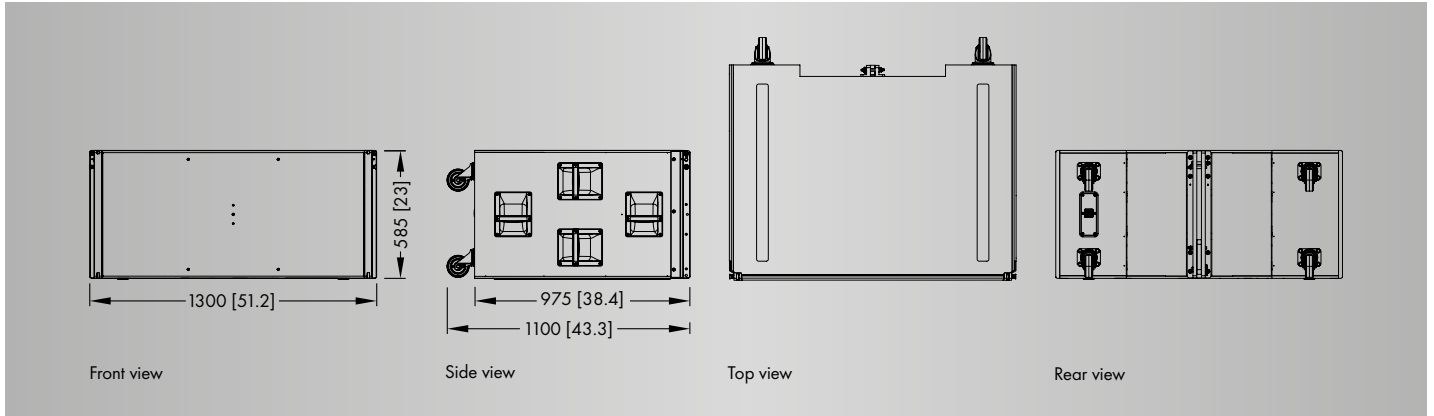
System data

Frequency response (-5 dB standard)	33 Hz - 84 Hz
Frequency response (-5 dB INFRA mode)	30 Hz - 65 Hz
Max. sound pressure (1 m, free field)	
with D80	144 dB
..... (SPLmax: Broadband signal IEC 60268)	

Loudspeaker data

Nominal impedance front/rear	3/6 ohms
Power handling capacity front (RMS/peak 10 ms)	1000/4000 W
Power handling capacity rear (RMS/peak 10 ms)	500/2000 W
Components	3 x 21" driver
Connections	1 x NLT4 F
Weight SL-SUB	138 kg (304 lb)
Weight SL-GSUB	132 kg (291 lb)

The SL-SUB and SL-GSUB



SL-SUB and SL-GSUB cabinet dimensions in mm [inch]

Features and benefits

- INFRA mode reduces the upper operating range of the SL-SUB/SL-GSUB from 90 Hz to 65 Hz
- Cardioid output pattern rejects the transmission of energy towards the rear
- Up to fourteen SL-SUB cabinets can be flown in a vertical column
- Exceptional efficiency and system headroom
- Efficient cabling system and amplifier rack assemblies

Applications

- Medium and large scale sound reinforcement applications
- Stadiums and arenas
- Concert halls
- Houses of Worship
- Theatres
- Clubs and live music venues



SL-GSUB for ground stacked applications